

A1G280-AA79-11

## EC axial fan

sickled blades (S series)

Automotive



**ebm-papst Mulfingen GmbH & Co. KG**

Bachmühle 2

74673 Mulfingen

Phone: +49 7938 81-0

Fax: +49 7938 81-110

[www.ebmpapst.com](http://www.ebmpapst.com)

[info1@de.ebmpapst.com](mailto:info1@de.ebmpapst.com)

### Nominal data

Type	A1G280-AA79-11	
Motor	M1G074-BF	
Nominal voltage	[VDC]	13.2
Nominal voltage range	[VDC]	8 .. 16
Type of data definition		rfa
Speed	[min <sup>-1</sup> ]	2350
Power input	[W]	90
Current draw	[A]	7.3
Max. ambient temperature	[°C]	60

ml = max. load · me = max. efficiency · rfa = running at free air · cs = customer specs · cu = customer unit  
Subject to alterations

# EC axial fan

sickled blades (S series)

Automotive

## Technical features

<b>Size</b>	280 mm
<b>Operation mode</b>	S1
<b>Direction of rotation</b>	Clockwise, seen on rotor
<b>Mounting position</b>	Shaft horizontal or rotor on bottom
<b>Humidity class</b>	F3-2
<b>Insulation class</b>	"B"
<b>Cable exit</b>	Variable
<b>Bearing motor</b>	Ball bearing
<b>Mass</b>	1.6 kg
<b>Material of impeller</b>	PA/SPS plastic, color: black (in accordance with UL 94 HB)
<b>Motor protection</b>	Reverse polarity and locked-rotor protection
<b>Number of blades</b>	5
<b>Type of protection</b>	IP 44
<b>Technical features</b>	Control input 0-10 VDC / PWM, tach output

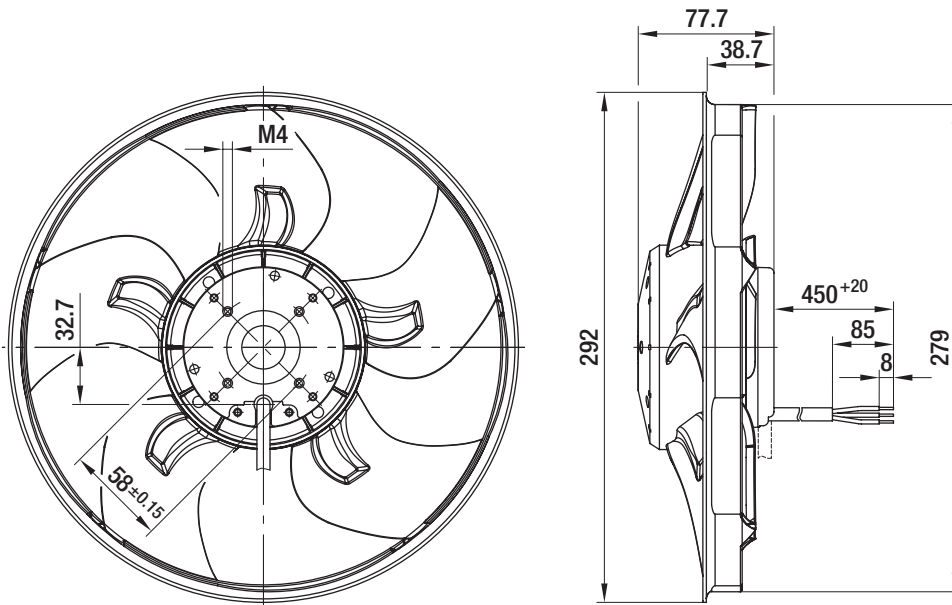
A1G280-AA79-11

# EC axial fan

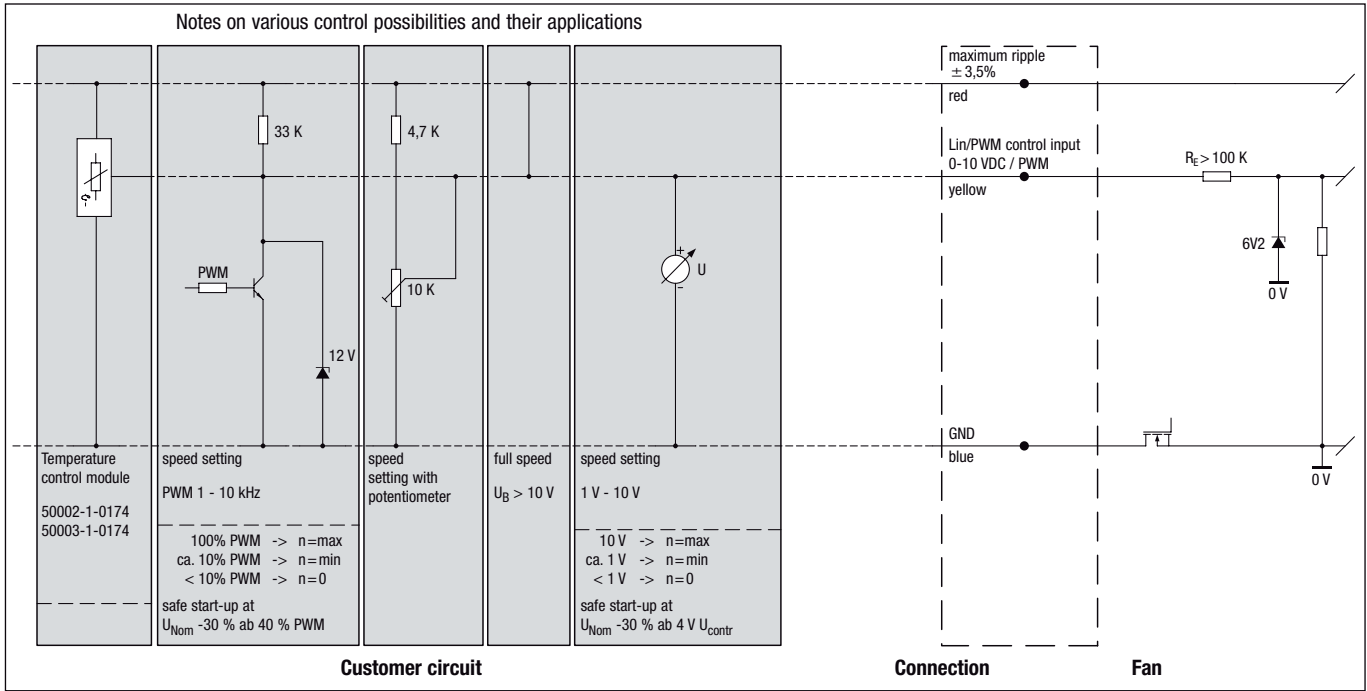
sickled blades (S series)

Automotive

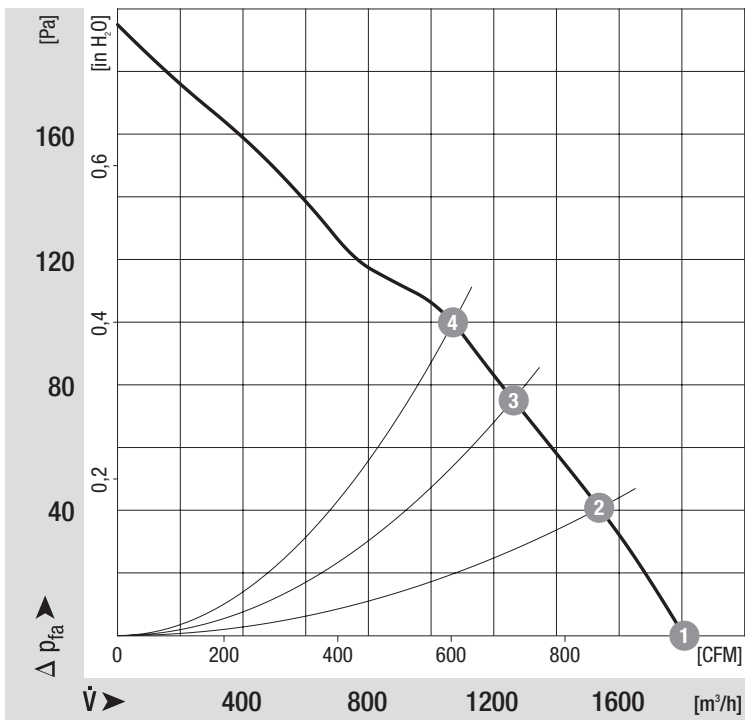
## Product drawing



## Connection screen



## Charts: Air flow



## Measured values

	n	P <sub>1</sub>	η <sub>Ges</sub>
	[min <sup>-1</sup> ]	[W]	[%]
1	2350	90	31
2	2330	89	38
3	2360	88	39
4	2340	90	38